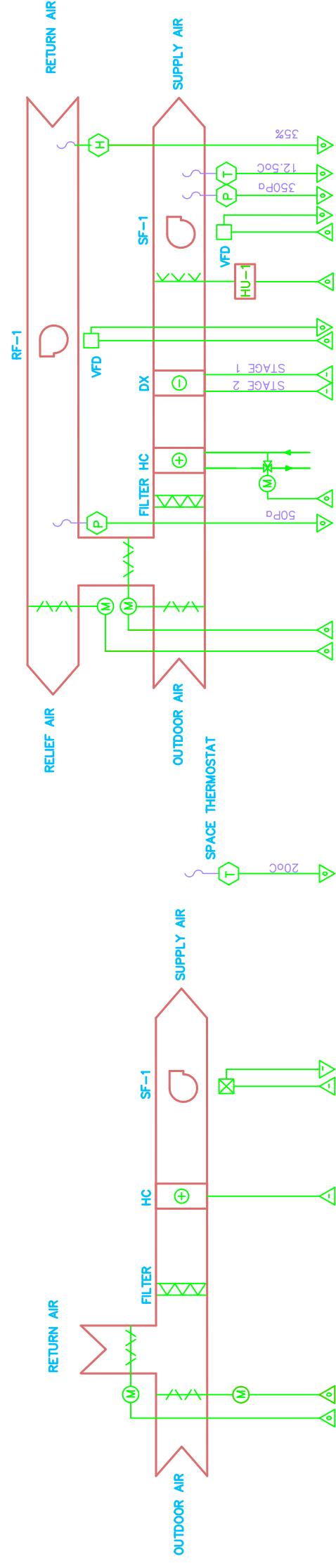


HEATING PLANT SCHEMATIC



ROOFTOP UNIT SCHEMATIC

AIR-HANDLING UNIT SCHEMATIC



The Academy of HVAC Engineering Ltd.

Project title:
Primary School for
240 students

Checked by: XXX Scale: N.T.S.

Drawn by: XXX Date: XXX

Sheet title: SYSTEM SCHEMATICS DWG. NO. M-3

Issued for: No. Date By

Revisions to drawing