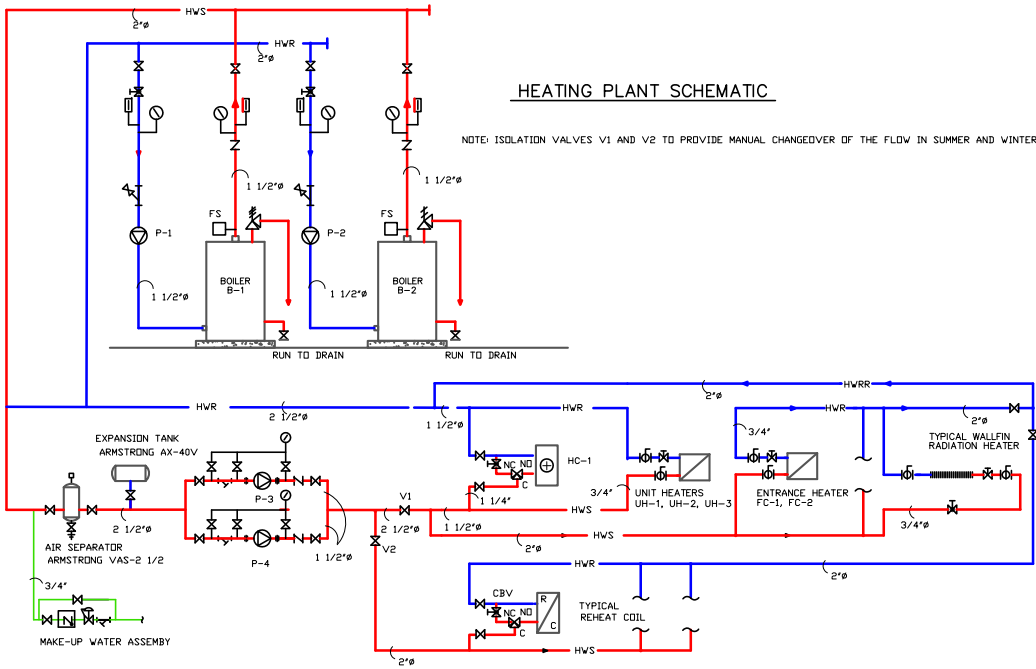


HEATING PLANT SCHEMATIC

NOTE: ISOLATION VALVES V1 AND V2 TO PROVIDE MANUAL CHANGEDOVER OF THE FLOW IN SUMMER AND WINTER



WALL-FIN, FAN-COIL AND UNIT HEATER SCHEDULE

TAG	SPACE	TEMP. °F	CAPACITY, MBH	FLOW GPM	LENGTH, FT	REMARKS
101	ASSEMBLING ROOM	68	35.9	3.6	40	TRANE
102	WASH DOWN ROOM	-	4.15	0.4	5	S18-SF 3/4"ø
103	DARK ROOM	-	1.23	0.1	15	
104	SCREEN ROOM	-	12.8	1.3	14	
105	OFFICE	-	0.52	0.05	1	
106	VESTIBULE	-	38.6	3.8	43	
107	ARCHIVES	-	10.4	1.0	12	
108	PURCHASING	-	6.7	0.7	8	
109	STORAGE	-	5.7	0.6	7	
110	CONTROL CENTER	-	36.3	3.6	40	
111	STORAGE	-	3.0	0.3	4	
112	ELECTRICAL ROOM	-	7.9	0.7	-	UH-3, TRANE 18-S
113	CORRIDOR	-	24.0	2.4	-	FC-1, FC-2
114	LETTERING ROOM	-	31.6	3.6	35	
115	SIGN SHDP	-	4.7	0.5	6	
116	PHOTOCOPY RM.	-	0.75	0.08	1	
117	WASHROOM	-	4.4	0.4	5	
118	WASHROOM	-	3.8	0.4	5	
119	LUNCH & TRAINING RM.	-	25.9	2.5	30	
120	DECORATING	-	13.7	1.4	15	
121	MECHANICAL ROOM	-	27.9	2.8	-	UH-3, TRANE 60-S
122	BOILER ROOM	-	10.0	1.0	-	UH-2, TRANE 18-S

REHEAT COILS

TAG	LOCATION	AIR FLOW CFM	DELTA T °F	CAPACITY MBH	SIZE INCH
RH-1	#101	1426	20	30.8	18"X24"
RH-2	#114	1806	20	38.7	20"X28"
RH-3	#103	1325	20	26.4	16"X24"
RH-4	#106	1037	20	22.4	16"X20"
RH-5	#119	1413	20	30.5	18"X24"
RH-6	#113	392	20	8.5	8"X14"
RH-7	#109	1074	20	23.2	16"X20"
RH-8	#120	858	20	18.5	16"X16"
RH-9	#110	2225	20	48.0	24"X28"

LEGEND

	- AIR DIFFUSER CHARACTERISTICS: SIZE-NECK DIAMETER IN INCHES FLOW-AIR VOLUME IN CFM
	- RECTANGULAR AIR OUTLET, SUPPLY
	- RECTANGULAR AIR OUTLET, RETURN
	- REHEAT COIL
	- FIRE DAMPER
	- THERMOSTAT DR
	- CONTROL WIRE
	- EXHAUST FAN
	- AIR TRANSFER
	- SOUND ATTENUATOR
	- BASEBOARD HEATER
	- HOT WATER SUPPLY
	- HOT WATER RETURN
	- HOT WATER REVERSE RETURN
	- REFRIGERANT SUCTION PIPE
	- REFRIGERANT DISCHARGE PIPE
	- CONDENSATE PIPE
	- GAS PIPE
	- CIRCUIT BALANCING VALVE
	- 3-WAY VALVE
	- 2-WAY VALVE
	- GATE VALVE
	- BALL VALVE
	- BUTTERFLY VALVE
	- CHECK VALVE

BOILER SCHEDULE

TAG	DESCRIPTION	INPUT (MBH)	OUTPUT (MBH)	GAS TRAIN INLET PRESS. ("WC)	OPERATING TEMP. MAX. (°F)	MOTOR SIZE (HP)	ELECTRICAL VOLTS/PHASE/HZ
B-1,2	PK MACH C-450	450	414	3.5 TO 14	200	0.4	120/1/60

AIR HANDLING UNIT SCHEDULE

TAG	LOCATION	SUPPLY FAN				COOLING COIL				HEATING COIL				HUMIDIFIER				
		AIR FLOW CFM	S.P. "WG	MOTOR SIZE		AIR TEMP. °F		TYPE	CAPACITY MBH	AIR PRESSURE DROP, "WG	AIR TEMP. °F		TYPE	CAPACITY lb/h				
RPM	HP	ELEC.	ENTERING	LEAVING	ENTERING	LEAVING												
S-1	ROOM 121	11,600	4.3	2000	15	575/1/60	TRANE, CLIMATE CHANGER, M-SERIES #21	81.2/64.5	51.9/51.7	DX	438	0.85	53.5	65.1	146	0.3	GAS-FIRED	45

North Arrow

The Academy of HVAC Engineering Ltd.

Project title	
GENERAL SERVICES BUILDING	
Checked by	Scale NTS
ID	Date
Sheet title	Drawing no.
SCHEDULES, SCHEMATICS	M-2A